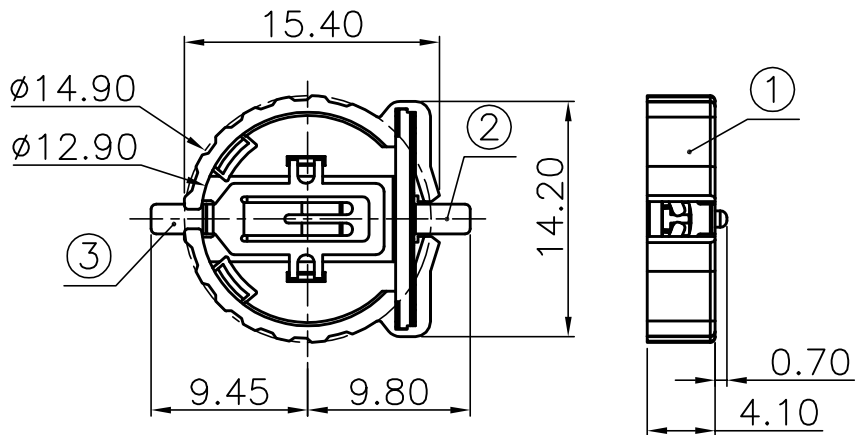


RoHS

5	6	7	8
ECN NO.	REV	DATE	DESCRIPTION

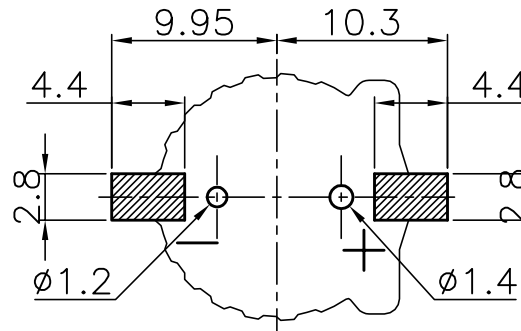
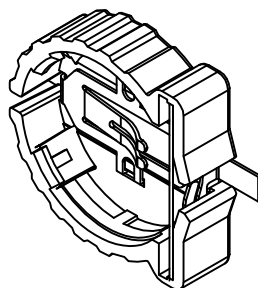
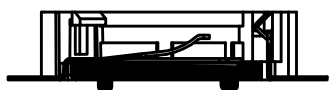


1.MATERIAL:

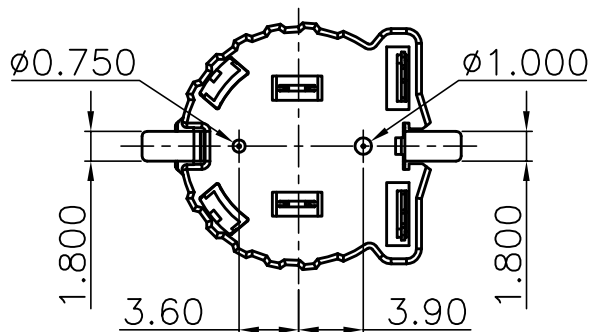
- a.HOUSING:PPA
- b.CONTACT:PHOSPHOR BRONZE  
(SURFACE PLATING:Au1u")

2.ELECTRIC:

- a.CONTACT RESISTANCE: 30 MILLIOHMS MAX
- b.INSULATION RESISTANCE: 1000 MEGA OHMS MIN
- c.DIELECTNIC VOLTAGE: 500V AC ONE SEC LEVEL
- d.OPERATING TEMPERATURE: -25°C~ +85°C



PCB Layout Diagram  
Top View



UNLESS OTHERWISE SPECIFIED TOLERANCES		MeiYang Electronics Co.Ltd			
DECIMALS:	ANGLES:	DSND	DATE	TITLE:	
X :±0.30X	:±1°	CHKD	DATE	BS-1220-2 PPA SMT	
X.X :±0.25 X.X:±0.5°		APVD	DATE	PART NO.:	
X.XX :±0.20		WEIGHT:0.63g	SCALE:2:1	SIZE:A4	VIEW:
X.XXX:±0.10		SHEET 1 OF 1	UNIT:mm	REV.:A/0	OBJECT:MY
					DRAW NO.:MY-CP-0031

NO.	PART NAME	Q'TY	MATERIAL	PLATING & COLOR
③	TERMINAL(-)	1	PHOSPHOR BRONZE, T=0.20mm	Gold Plating and Ni Under-Plating
②	TERMINAL(+)	1	PHOSPHOR BRONZE, T=0.20mm	Gold Plating and Ni Under-Plating
①	HOUSING	1	PPA	BROWN