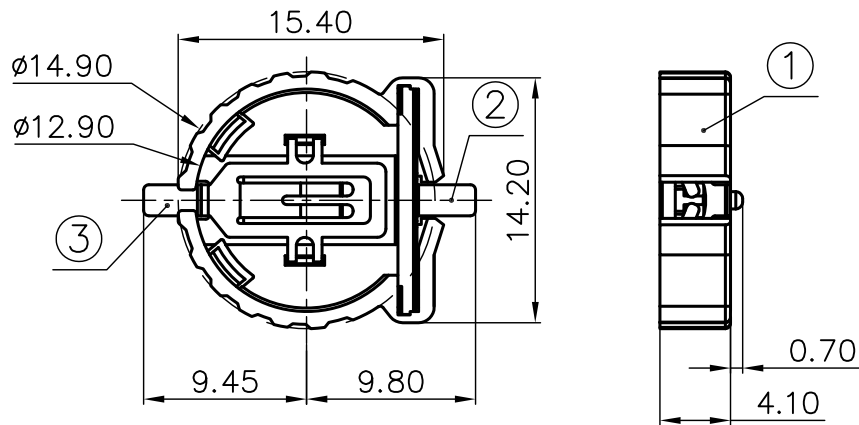


RoHS

5	6	7	8
ECN NO.	REV	DATE	DESCRIPTION

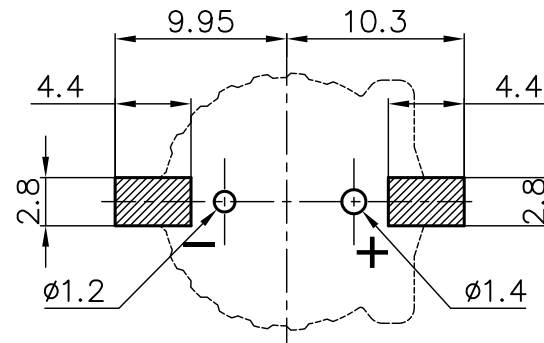
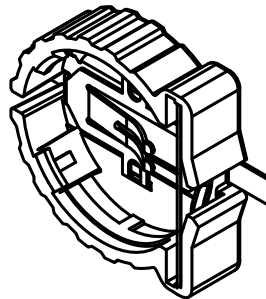
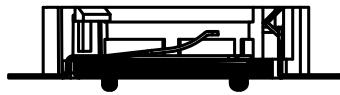


1.MATERIAL:

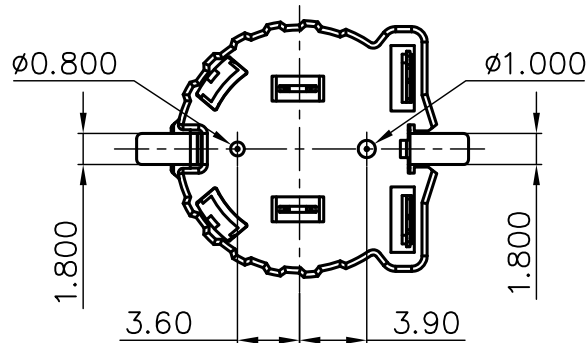
- a.HOUSING:PPS
- b.CONTACT:PHOSPHOR BRONZE  
(SURFACE PLATING: Au1u")

2.ELECTRIC:

- a.CONTACT RESISTANCE: 30 MILLIOHMS MAX
- b.INSULATION RESISTANCE: 1000 MEGA OHMS MIN
- c.DIELECTNIC VOLTAGE: 500V AC ONE SEC LEVEL
- d.OPERATING TEMPERATURE: -25°C~ +85°C



PCB Layout Diagram  
Top View



UNLESS OTHERWISE SPECIFIED TOLERANCES				MeiYang Electronics Co.Ltd			
DECIMALS:	ANGLES:	DSND	LQ.HUANG	DATE	2020-03-16	TITLE:	
X : ±0.30	X : ±1°	CHKD		DATE		BS-1220-2 PPS SMT	
X.X : ±0.25	X.X : ±0.5°	APVD	XY.XUE	DATE	2020-03-16	PART NO.:	
X.XX : ±0.20	X.XXX : ±0.10	WEIGHT:	g	SCALE:	SIZE:A4	VIEW:	BS-12-B3AA003
SHEET 1 OF 1				UNIT:mm	REV.:A/0	OBJECT:MY	DRAW NO.:MY-CP-0030

NO.	PART NAME	Q'TY	MATERIAL	PLATING & COLOR
③	TERMINAL(-)	1	PHOSPHOR BRONZE, T=0.20mm	Gold Plating and Ni Under-Plating
②	TERMINAL(+)	1	PHOSPHOR BRONZE, T=0.20mm	Gold Plating and Ni Under-Plating
①	HOUSING	1	PPS	BROWN