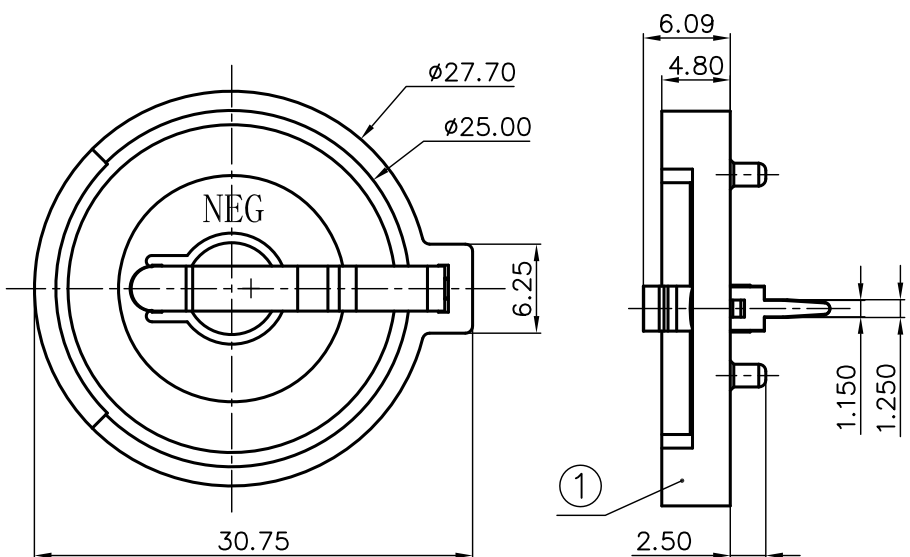


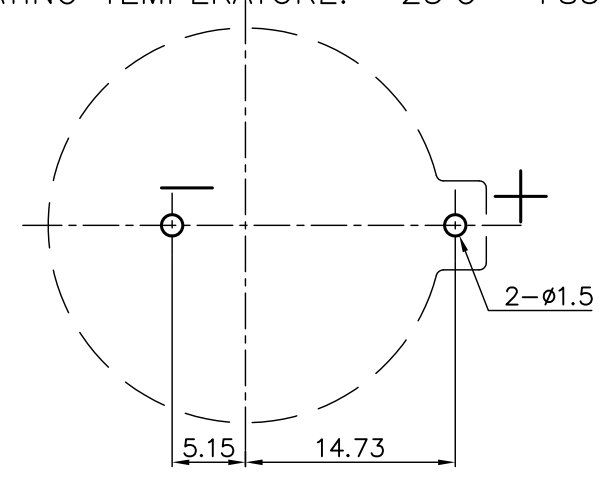
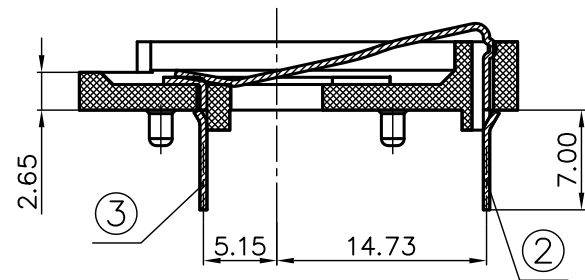
RoHS

5	6	7	8
ECN NO.	REV	DATE	DESCRIPTION



NOTE:

- MATERIAL:
 - HOUSING:PBT
 - CONTACT:Mn Steel
(SURFACE PLATING: Ni100u"-120u")
SEE ORDERING INFORMATION
- ELECTRIC:
 - CONTACT RESISTANCE: 30 MILLIOHMS MAX
 - INSULATION RESISTANCE: 1000 MEGA OHMS MIN
 - DIELECTNIC VOLTAGE: 500V AC ONE SEC LEVEL
 - OPERATING TEMPERATURE: -25°C~ +85°C



PCB Layout Diagram
Top View

NO.	PART NAME	Q'TY	MATERIAL	PLATING & COLOR
③	TERMINAL(-)	1	Mn Steel, T=0.50mm	Ni Plating
②	TERMINAL(+)	1	Mn Steel, T=0.50mm	Ni Plating
①	HOUSING	1	PBT	BLACK

UNLESS OTHERWISE SPECIFIED TOLERANCES				MeiYang Electronics Co.Ltd			
DECIMALS: X		ANGLES: X.X		DSND	DATE	TITLE:	
:±0.30		:±1°		CHKD	DATE	BS-2430-1	
:±0.25		:±0.5°		APVD	DATE	PART NO.:	
:±0.20		:±0.10		WEIGHT:2.92g	SCALE:2:1	SIZE:A4	VIEW:
:±0.10		SHEET 1 OF 1		UNIT:mm	REV.:A/0	OBJECT:MY	DRAW NO.:MY-CP-0035