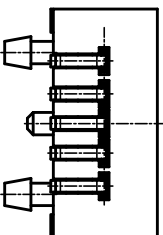
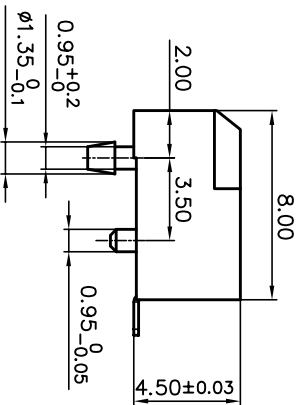
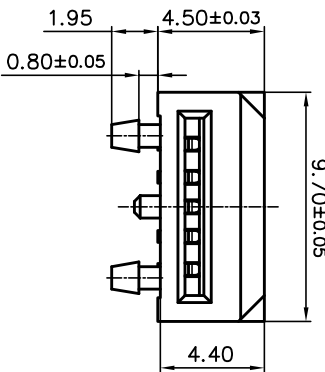
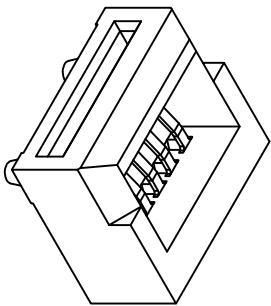
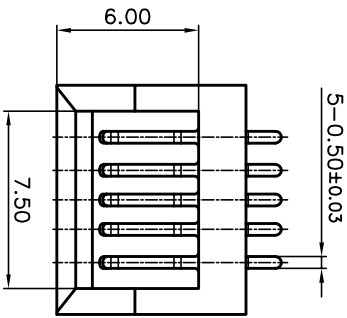


ROHS

ECN NO.	REV	DATE	DESCRIPTION	CHANGE CHECK	APPRO



PCB Layout Diagram
Bottom View

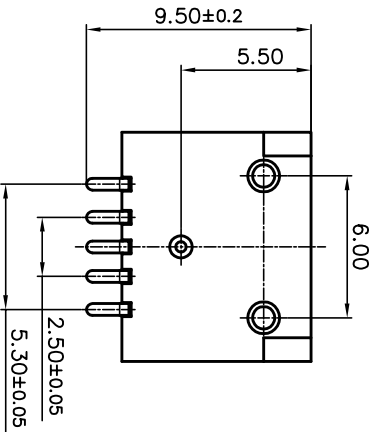
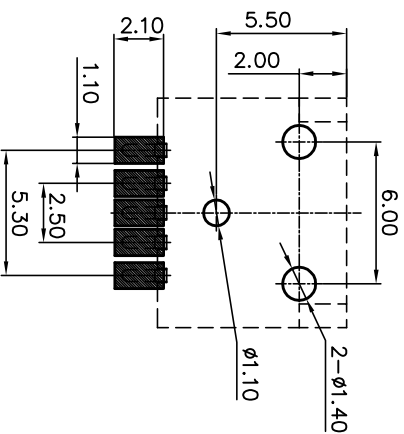


TABLE A:

MATTER	RoHS (PPM)
Cd	≤ 100
Pb	≤ 1000
Hg	≤ 1000
Cr+6+	≤ 1000
PBB	≤ 1000
PBDE	≤ 1000

- NOTES:
1. CONTACT CURRENT RATING: 1A.
 2. CONTACT RESISTANCE: 50 mΩ MAX.;
 3. INSULATION RESISTANCE: 100MΩ MIN.;
 4. DIELECTRIC WITHSTANDING: 500V AC MIN.;
 5. DURABILITY: 10,000 CYCLES MIN.;
 6. CONNECTOR MATING FORCES: 5N (0.51kgf) MAX.;
 7. CONNECTOR UNMATING FORCES: 0.25N(0.025kgf) MIN.;
 8. PRODUCT MEET THE REQUEST OF THE RoHS, SEE TABLE A:

MeiYang Electronics Co.Ltd

DATE: 2018-08-20 TITLE: 血糖仪

DATE: DATE PART NO.: SD-XTY-004-5P

DATE: 2018-08-20

VIEW: XTY-004-5P

OBJECT: MY DRAW NO.: MY-CP-

NO.	PART NAME	Q'TY	MATERIAL	PLATING & COLOR
①	HOUSING	1	LCP	BLACK
②	TERMINAL	5	PHOSPHOR BRONZE, T=0.20mm	Gold Plating

UNLESS OTHERWISE SPECIFIED TOLERANCES

DECIMALS: ANGLES:
 X X :±0.30 X :±1°
 X X X :±0.25 X X X :±0.5°
 X X X X :±0.20
 X X X X X :±0.10

WEIGHT:

SHEET 1 OF 1