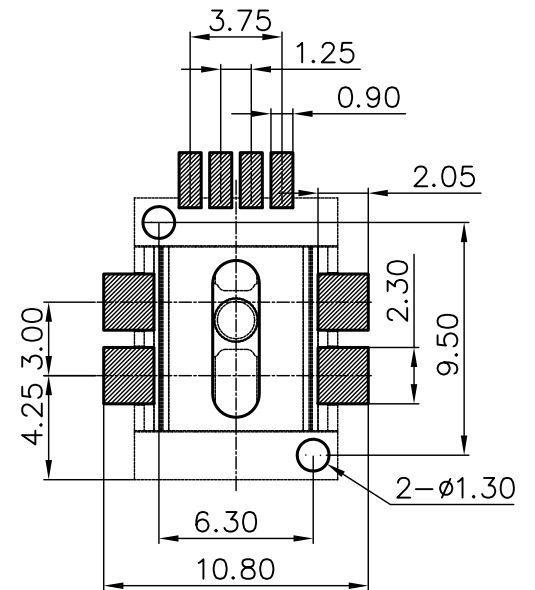
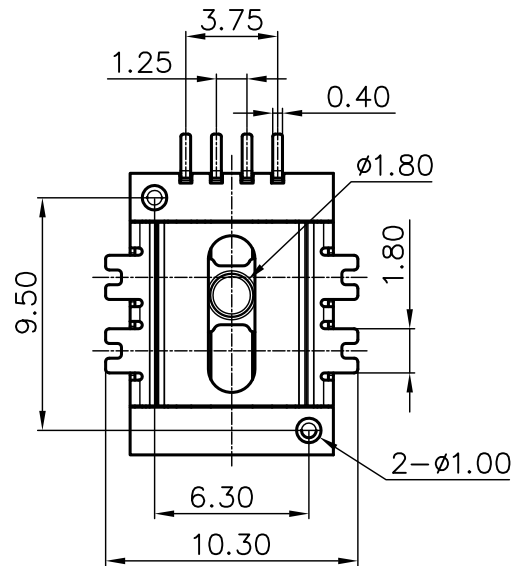
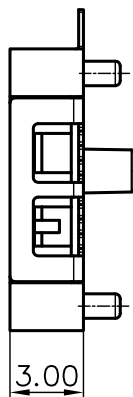
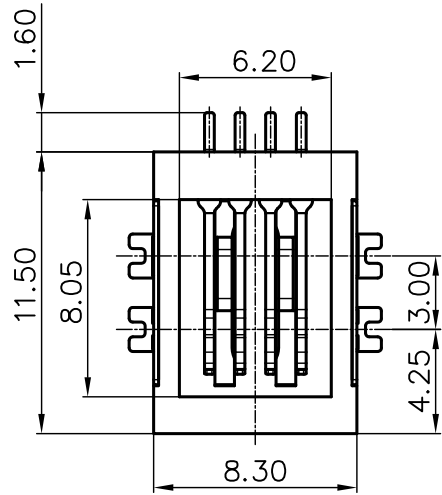
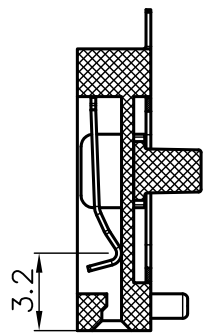
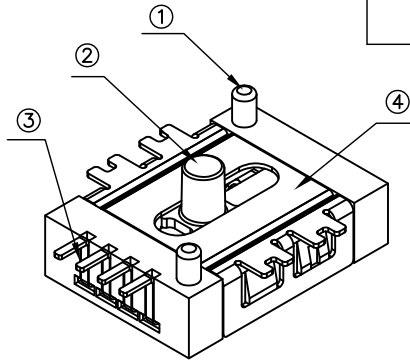
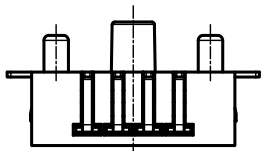
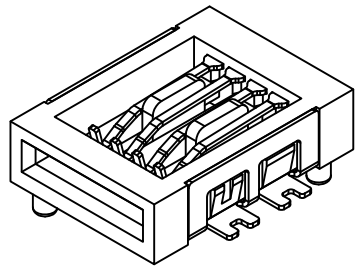
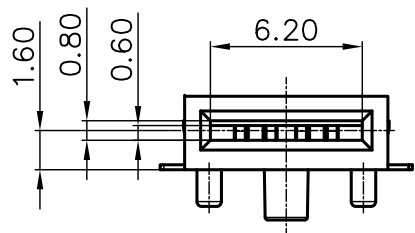


RoHS

5	6	7	8
ECN NO.	REV	DATE	DESCRIPTION



PCB Layout Diagram
Bottom View



④	SHELL	1	BRASS T=0.2mm	Ni-Plating
③	TERMINAL	4	PHOSPHOR BRONZE,T=0.2mm	Au-Plating under Ni-Plating
②	PUSH KNOB	1	LCP	BLACK
①	HOUSING	1	LCP	BLACK

NO.	PART NAME	Q'TY	MATERIAL	PLATING & COLOR
-----	-----------	------	----------	-----------------

UNLESS OTHERWISE SPECIFIED TOLERANCES				MeiYang Electronics Co.Ltd			
DECIMALS: X :±0.30 X.X :±1' X.XX :±0.25 X.XX :±0.5' X.XXX:±0.10		DSND	LQ.HUANG	DATE	2019-10-17	TITLE: 1.25mm 4P(2-3N)	
WEIGHT:		CHKD		DATE		PART NO.: XTY-015-4P(2-3N)	
SHEET 1 OF 1		APVD	XY.XUE	DATE	2019-10-17	VIEW:	⊙ ⊚
		SCALE:	SIZE:A4	REV.:A/0	OBJECT:MY	DRAW NO.:MY-CP-****	