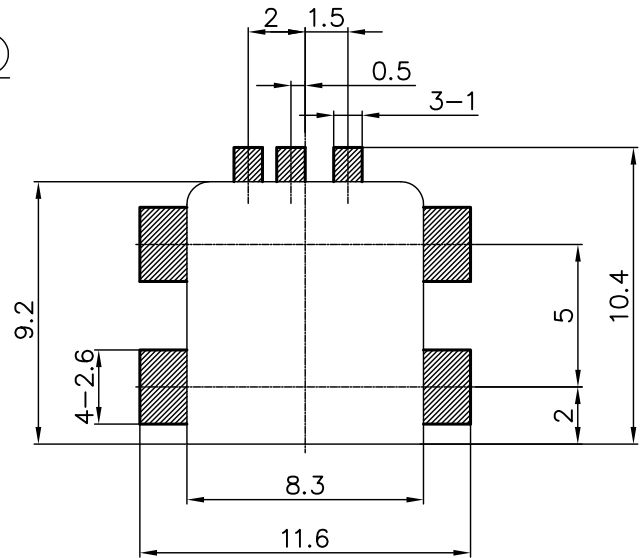
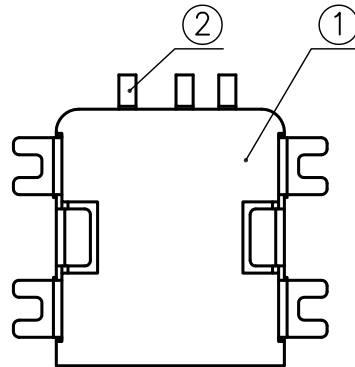
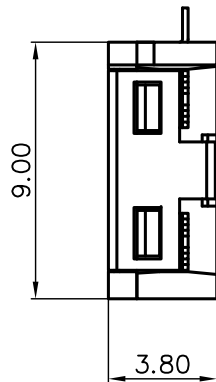
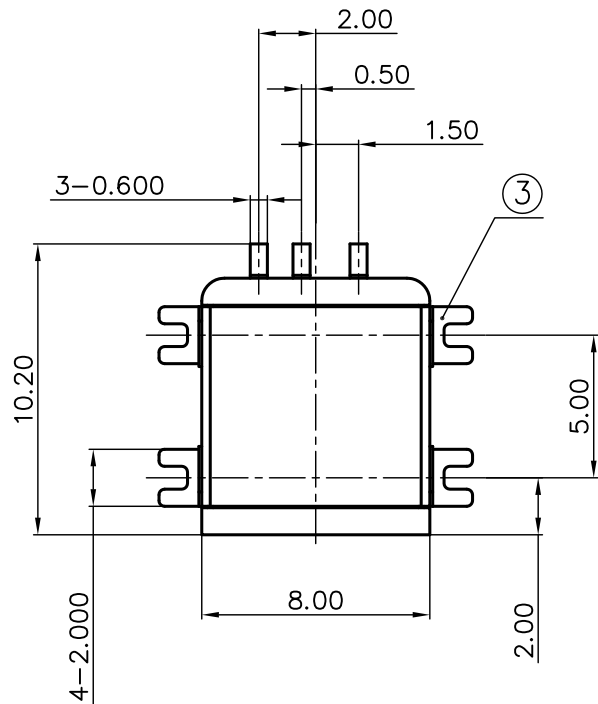
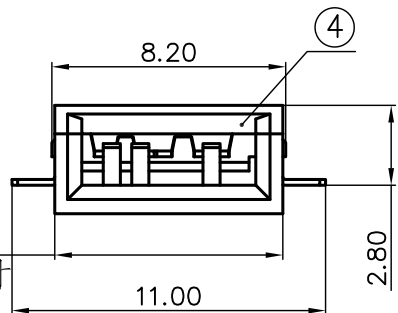


RoHS

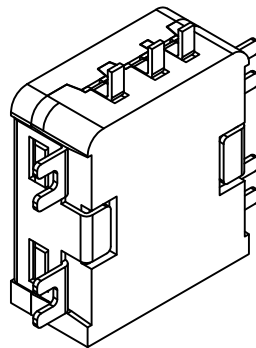
5	6	7	8
ECN NO.	REV	DATE	DESCRIPTION



PCB Layout Diagram
Top View



8.16MAX
沉板部位尺寸



NO.	PART NAME	Q'TY	MATERIAL	PLATING & COLOR
④	COVER	1	PA9T	BLACK
③	SHELL	1	BRASS, T=0.20mm	NiSn Plating
②	TERMINAL	5	PHOSPHOR BRONZE, T=0.20mm	Gold Plating and Ni Under-Plating
①	HOUSING	1	PA9T	BLACK

UNLESS OTHERWISE SPECIFIED TOLERANCES				MeiYang Electronics Co.Ltd			
DECIMALS: X :±0.30		ANGLES: X :±1°		DSND	DATE	TITLE: 血糖仪	
X.X :±0.25		X.X :±0.5°		CHKD	DATE	SD-XTY-010-3P	
X.XX :±0.20		X.XXX:±0.10		APVD	DATE	PART NO.:	
WEIGHT:		SCALE:4:1	SIZE:A4	VIEW:		XTY-3P-003(沉板)	
SHEET 1 OF 1		UNIT:mm	REV.:A/0	OBJECT:MY	DRAW NO.:MY-X3.1.00.00.003		