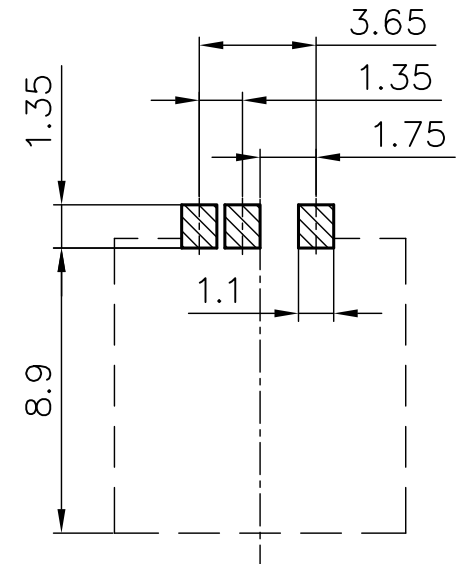
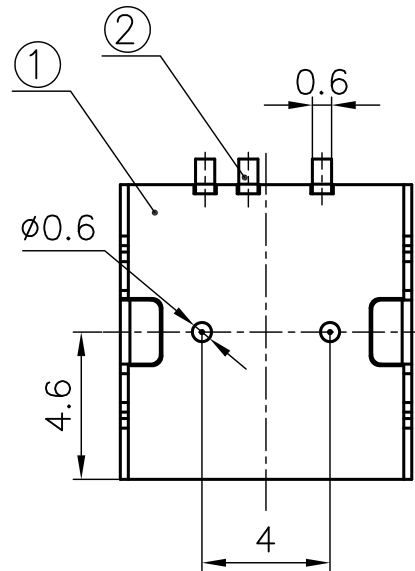
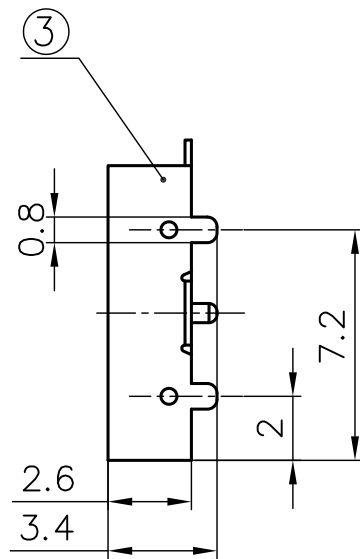
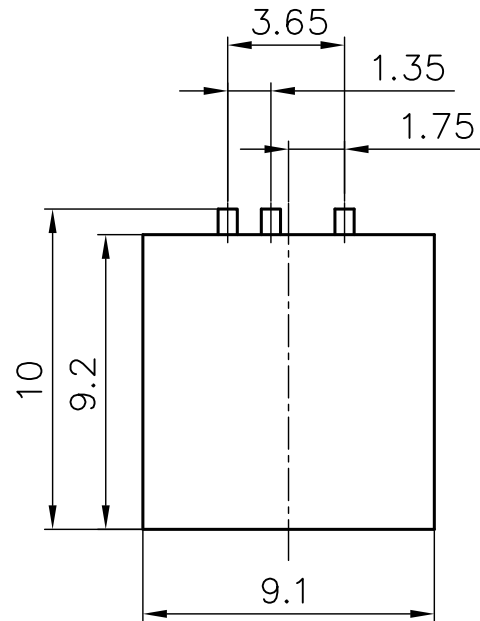


RoHS

5	6	7	8
ECN NO.	REV	DATE	DESCRIPTION



PCB Layout Diagram
Bottom View

③	SHIELD SHELL	1	STAINLESS STEEL T=0.25mm	Sn-Plating
②	TERMINAL	3	PHOSPHOR BRONZE, T=0.20mm	Gold Plating(1u") and Ni Under-Plating
①	HOUSING	1	LCP	BLACK
NO.	PART NAME	Q'TY	MATERIAL	PLATING & COLOR

UNLESS OTHERWISE SPECIFIED TOLERANCES				MeiYang Electronics Co.Ltd			
DECIMALS:	X : ±0.30	X.X : ±0.25	X.XX : ±0.20	ANGLES:	X : ±1°	X.X : ±0.5°	X.XXX : ±0.10
DSND	LQ.HUANG	DATE	2019-03-26	TITLE:			
CHKD		DATE		3P 不等距			
APVD	XY.XUE	DATE	2019-03-26	PART NO.:			
WEIGHT:	SCALE:	SIZE:A4	VIEW:	XTY-3P-005			
SHEET 1 OF 1	UNIT:mm	REV.:A/0	OBJECT:MY	DRAW NO.:MY-CP-			