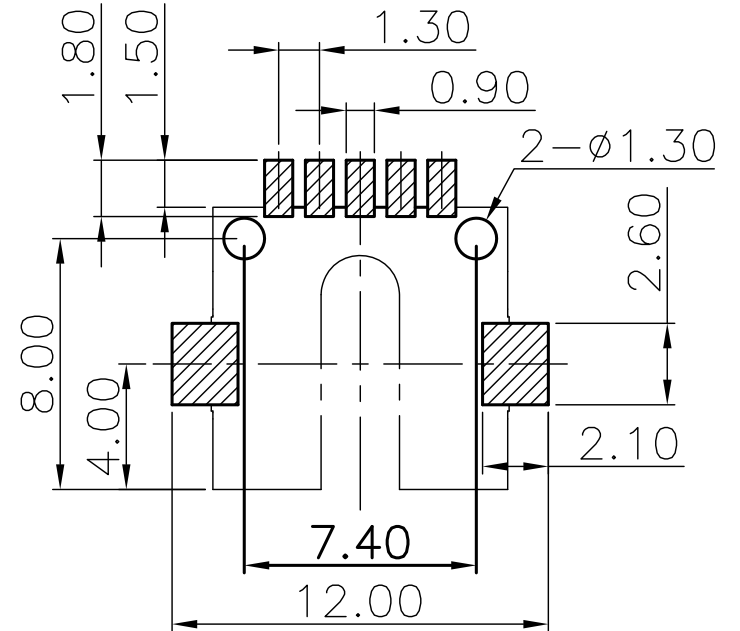
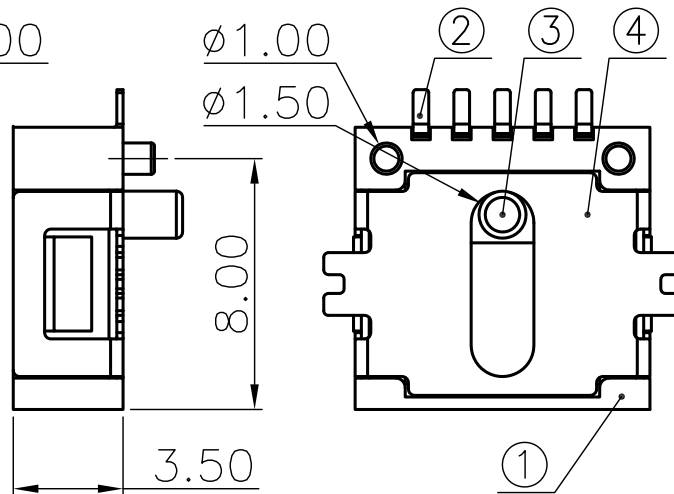
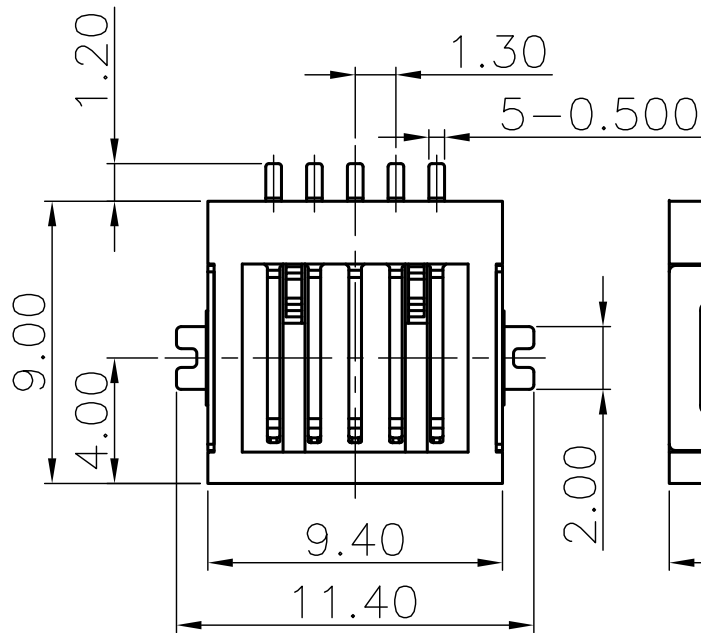
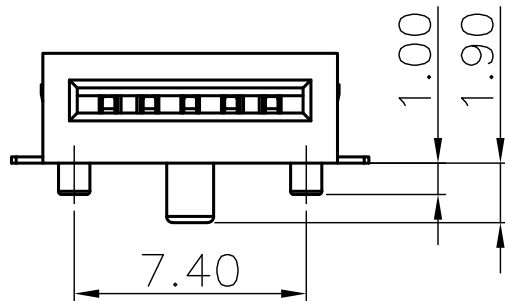


RoHS

| 5 | 6 | 7 | 8 |
|---------|-----|------|-------------|
| ECN NO. | REV | DATE | DESCRIPTION |
| | | | |
| | | | |
| | | | |



PCB Layout Diagram
Top View



| NO. | PART NAME | Q'TY | MATERIAL | PLATING & COLOR |
|-----|-----------|------|---------------------------|-----------------------------------|
| ③ | COVER | 1 | PHOSPHOR BRONZE, T=0.20mm | Ni Plating |
| ② | SLIDER | 1 | PA9T | BLACK |
| ① | TERMINAL | 5 | PHOSPHOR BRONZE, T=0.20mm | Gold Plating and Ni Under-Plating |
| | HOUSING | 1 | PA9T | BLACK |

| | | | | | | | |
|---------------------------------------|--|----------------|--|----------------------------|-----------|-----------|----------------------------|
| UNLESS OTHERWISE SPECIFIED TOLERANCES | | | | MeiYang Electronics Co.Ltd | | | |
| DECIMALS: X :±0.30 | | ANGLES: X :±1° | | DSND | DATE | TITLE: | |
| X.X :±0.25 | | X.X :±0.5° | | CHKD | DATE | 5P血糖仪 | |
| X.XX :±0.20 | | | | APVD | DATE | PART NO.: | |
| X.XXX:±0.10 | | | | WEIGHT: | SCALE:4:1 | SIZE:A4 | VIEW: |
| | | | | SHEET 1 OF 1 | UNIT:mm | REV.:A/0 | OBJECT:MY |
| | | | | | | | DRAW NO.:MY-X5.1.00.00.001 |